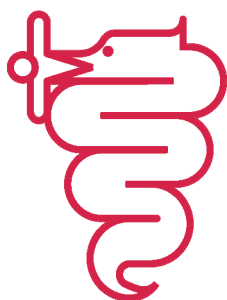


BZ10



BEZZERA

Dal 1901

COD. 9942047.04

REV.00

TABLE 1

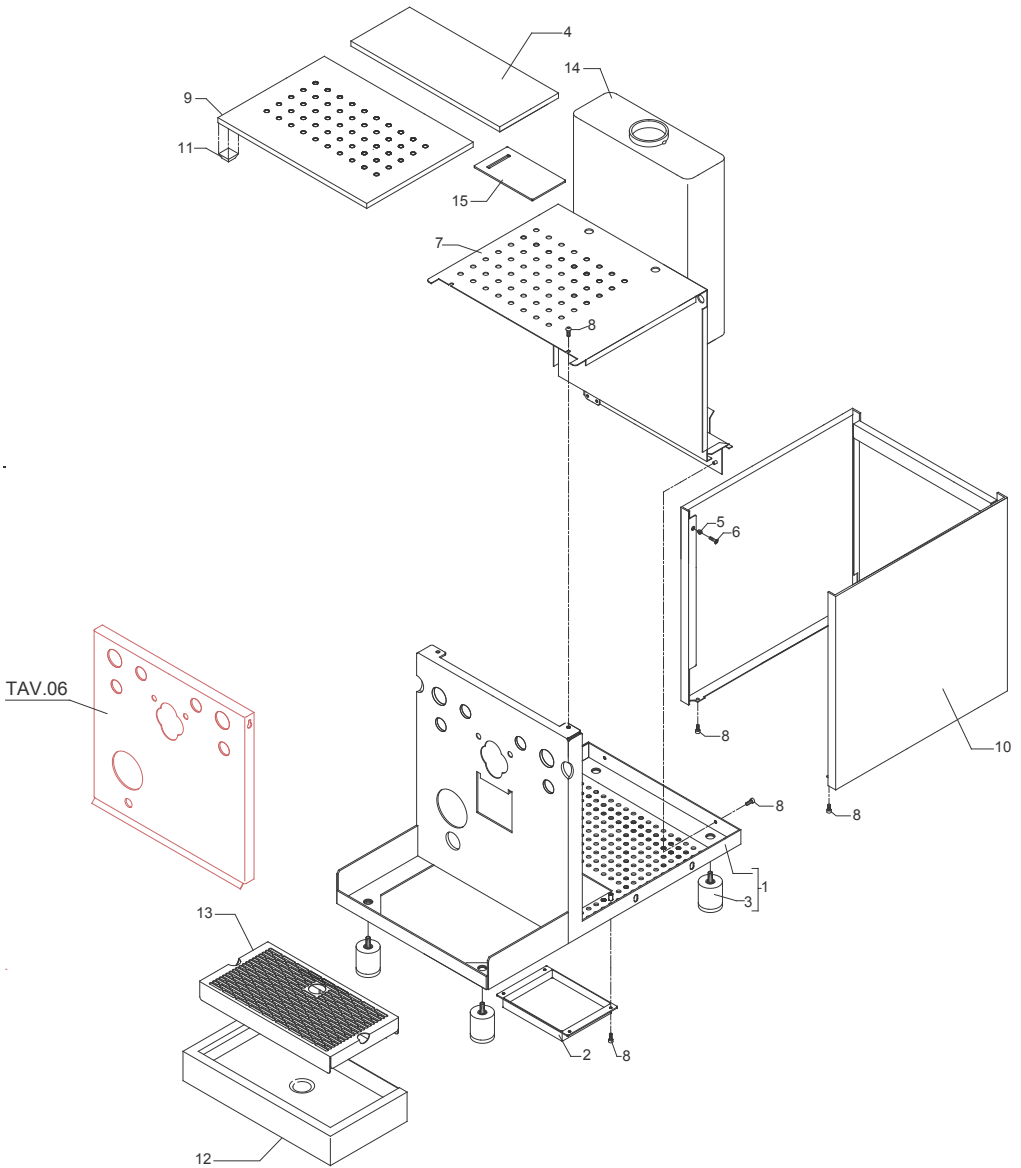


TABLE 2 (up to 18.03.13)

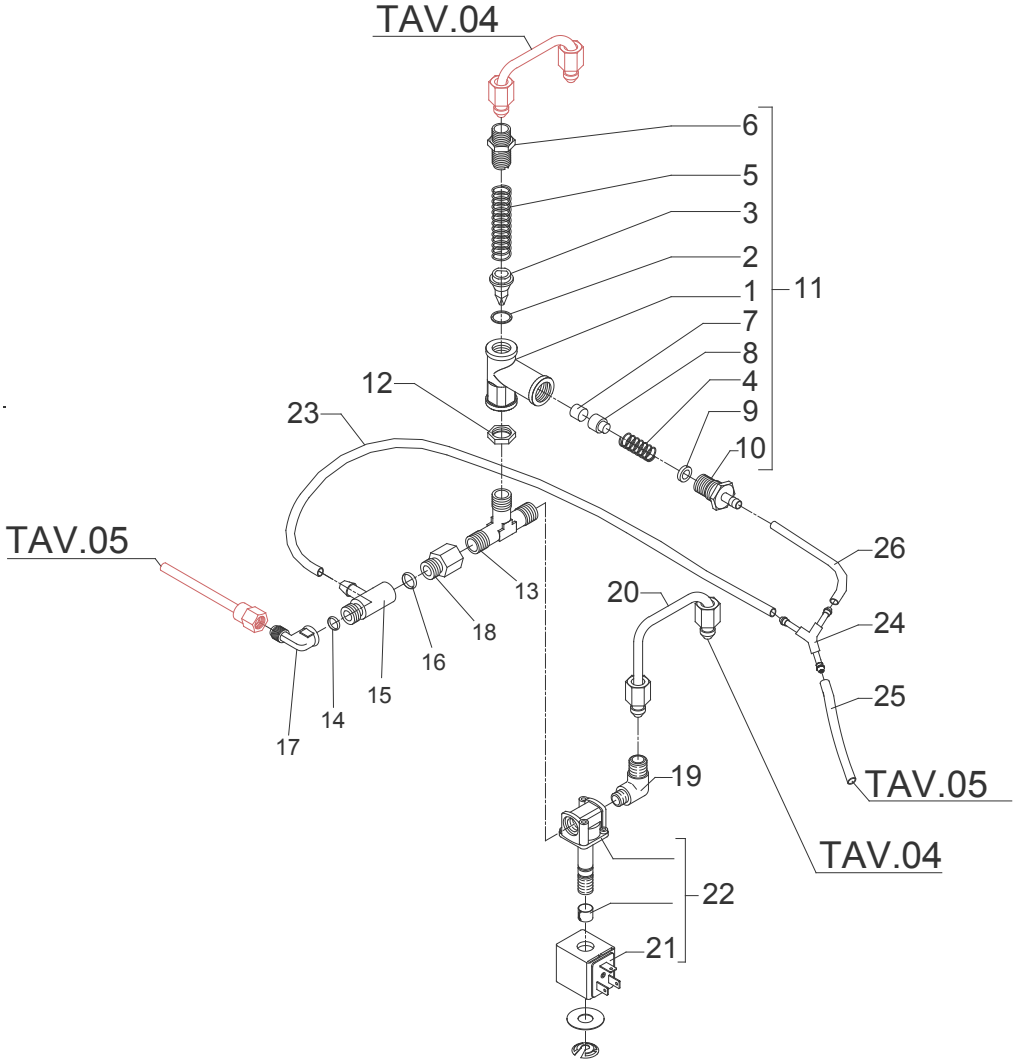
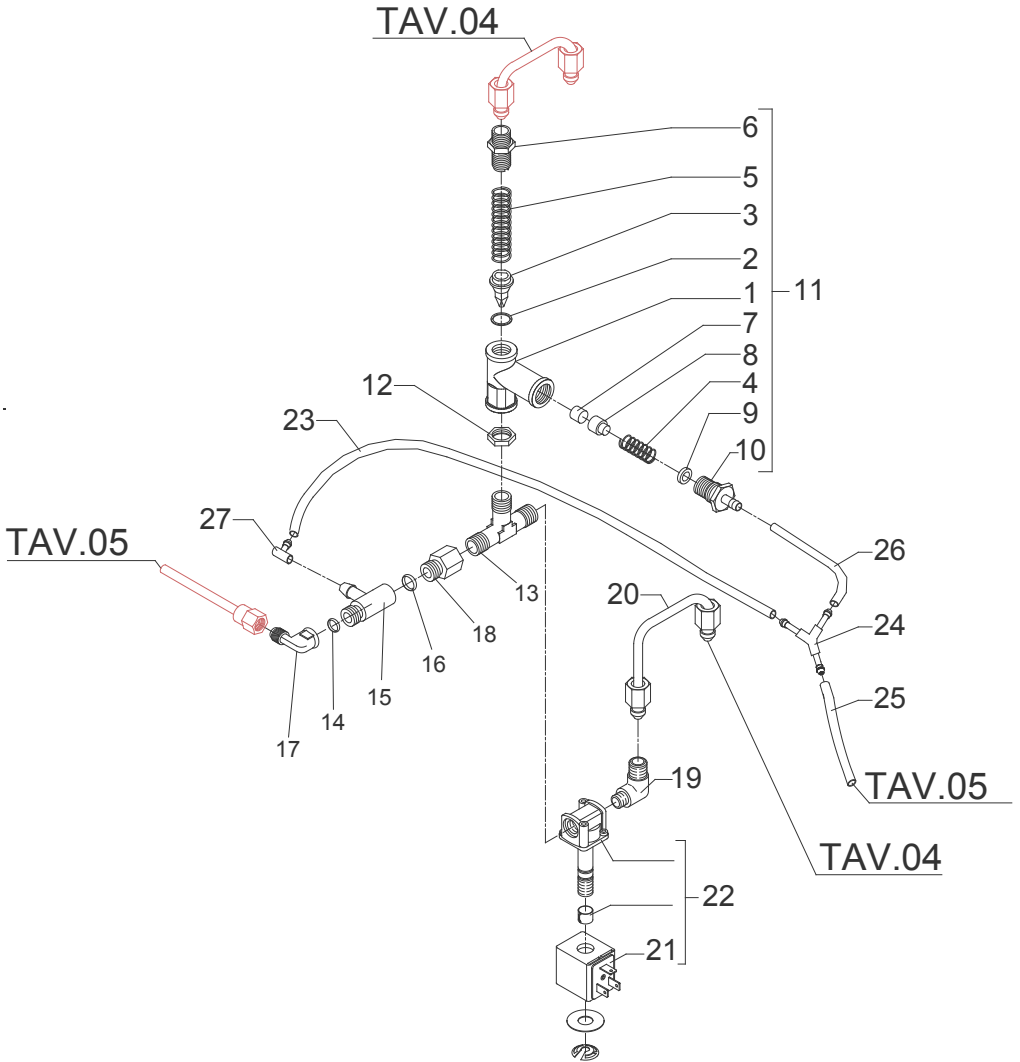


TABLE 2 (from 19.03.13)



POS	CODE	DESCRIPTION
1	7371511.01	LEVER KNOB
2	5222823CM	RING NUT 3/8"G H17
3	5225608	ARTICULATION M8 INOX
4	5260203DL	SHAFT D12X47
5	5471513	SPRING
6	5261801	WASHER D11
7	5494004	GASKET D12 X 6 PTFE GRAPHITIZED
8	5221826CM	NUT 3/8"G ES.22X5
9	5283047TW	TAP BODY OT
10	5496042	GASKET D11X4X4 EPT 70 (C6)
11	5224603TP	GASKET-HOLDER
12	5964084AL	ASSEMBLY TAP
13	5225410TP	FITTING M14XM13 H26
14	5966548AL	ASSEMBLY WATER HOSE
15	7496072	OR GASKET 121
16	5471532	SPRING
17	5190501	COMPLETE CUP
18	5221872TW	NUT 3/8"G
19	7496073	OR GASKET 115 EP856
20	5225607TW	WATER HOSE CHROMED
21	7496003	OR GASKET 108 VITON
22	5226610TW	WATER HOSE TERMINAL D23.5X18 OT CHROMED
23	5493003	GASKET D20.5X15 H1.5 NBR 70SH
24	5226601TW	WATER HOSE TERMINAL M22 CHROMED
25	7479958	ASSEMBLY STEAM HOSE TERMINAL 4 HOLES
26	7371003	INSULATING
27	7496083	OR GASKET D4.5X1.5 NBR 70
28	7305010	TERMINAL 4 HOLES
29	7305013	TERMINAL 2 HOLES
30	7479975	ASSEMBLY STEAM HOSE TERMINAL 2 HOLES
31	5221872TW	NUT 3/8"G
32	7496073	OR GASKET 115 EP856
33	5963098.01	ASSEMBLY HEATING ELEMENT 220/240V
33	5963097.01	ASSEMBLY HEATING ELEMENT 110V
34	5221863CM	CAP NUT M8 CHROMED
35	7816014	SCREW M8X20 UNI5931 A2
36	7816001	SCREW TCEI M5X12 UNI5931 A2
37	5283046TW	DELIVERY GROUP BODY
38	7496004	OR GASKET 139
39	5280502TW	COUPLING RING OT CHROMED
40	7493016	GASKET H 9,3 NBR 75SH
41	5285501TP	SHOWER-HOLDER D57
42	5470501	SHOWER D57 AISI 304
43	7817001	SCREW TPS M5X16 A2
44	5963548.01AL	ASSEMBLY DELIVERY GROUP
45	7634808	THERMIC SAFETY DEVICE 250V 95°C AUTOMATIC

TABLE 3 (up to 28.01.14)

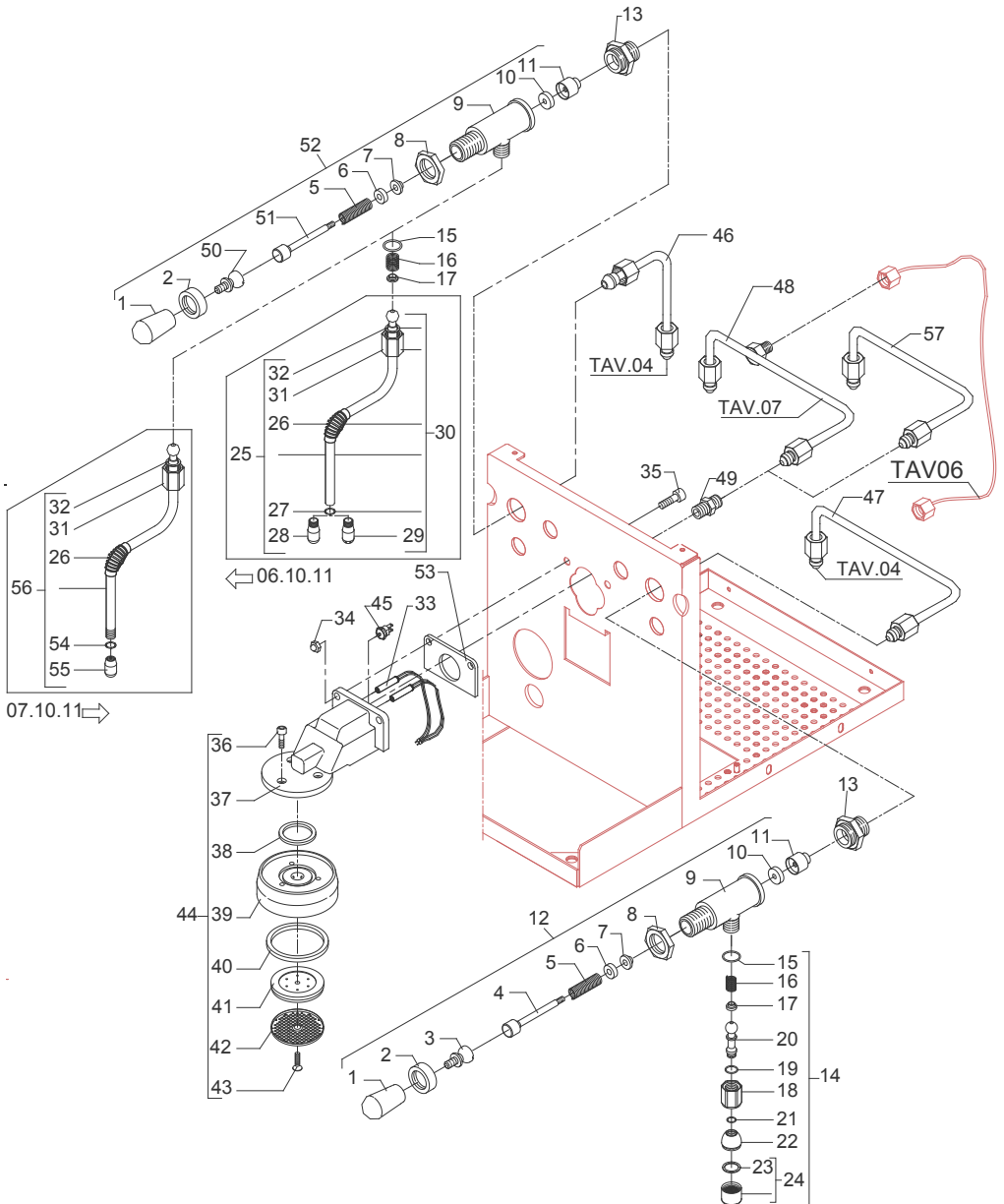


TABLE 3 (up to 28.01.14)

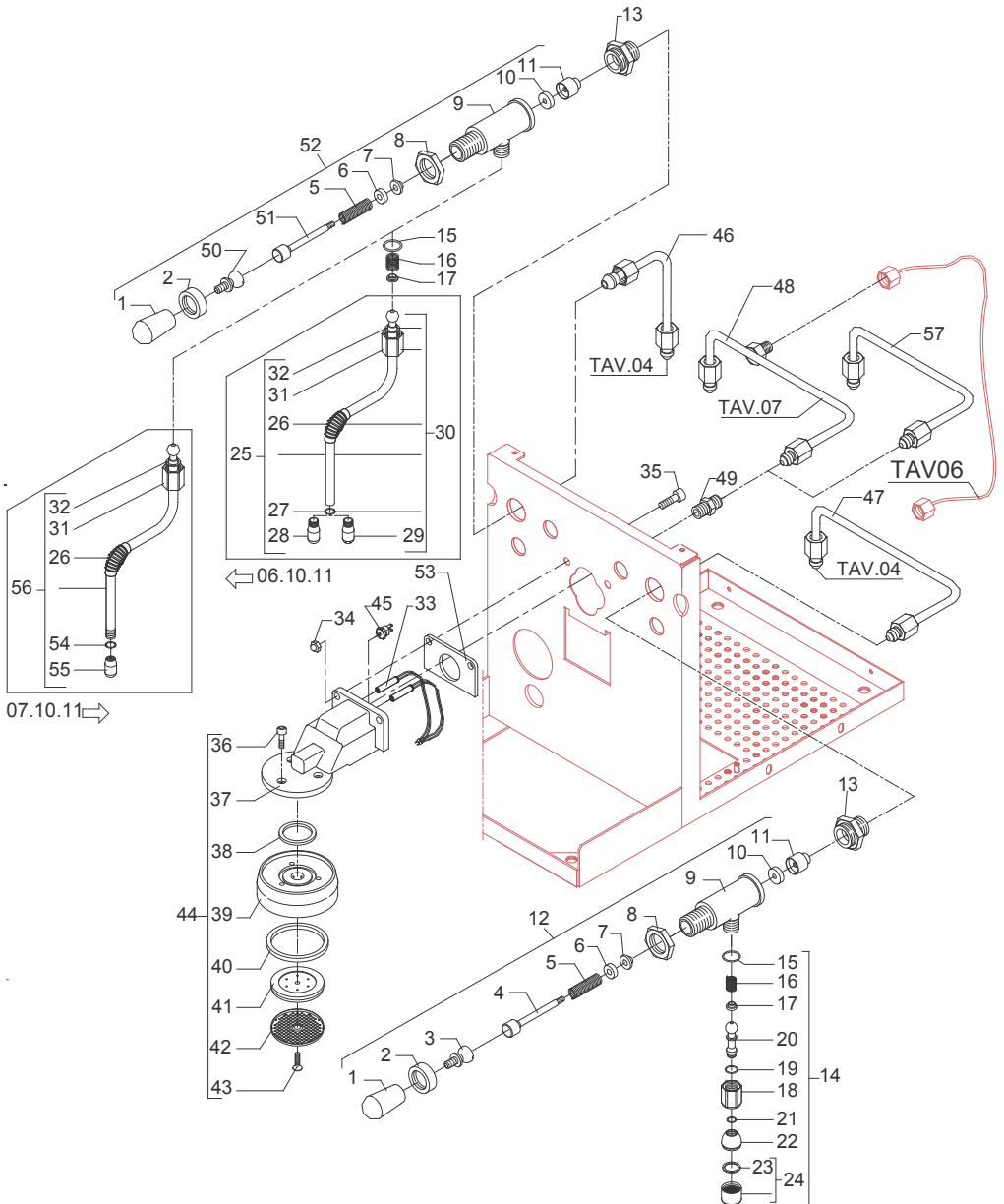


TABLE 3 (from 29.01.14)

POS	CODE	DESCRIPTION
1	7371511.01	LEVER KNOB
2	5222823CM	RING NUT 3/8" G H17
3	5225608	ARTICULATION M8 INOX
4	5260203DL	SHAFT D12X47
5	5471513	SPRING
6	5261801	WASHER D11
7	5494004	GASKET D12 X 6 PTFE GRAPHITIZED
8	5221826CM	NUT 3/8" G ES.22X5
9	5283055TW	TAP BODY OT FOR OR
10	5496042	GASKET D11X4X4 EPT 70 (C6)
11	5224603TP	GASKET-HOLDER
12	5964084.01AL	ASSEMBLY TAP WITH OR
14	5966548AL	ASSEMBLY WATER HOSE
15	7496072	OR GASKET 121
16	5471532	SPRING
17	5190501	COMPLETE CUP
18	5221872TW	NUT 3/8" G
19	7496073	OR GASKET 115 EP856
20	5225607TW	WATER HOSE CHROMED
21	7496003	OR GASKET 108 VITON
22	5226610TW	WATER HOSE TERMINAL D23.5X18 OT CHROMED
23	5493003	GASKET D20.5X15 H1.5 NBR 70SH
24	5226601TW	WATER HOSE TERMINAL M22 CHROMED
33	5963098.01	ASSEMBLY HEATING ELEMENT 220/240V
33	5963097.01	ASSEMBLY HEATING ELEMENT 110V
34	5221863CM	CAP NUT M8 CHROMED
35	7816014	SCREW M8X20 UNI5931 A2
36	7816001	SCREW TCEI M5X12 UNI5931 A2
37	5283046TW	DELIVERY GROUP BODY
38	7496004	OR GASKET 139
39	5280502TW	COUPLING RING OT CHROMED
40	7493016	GASKET H 9,3 NBR 75SH
41	5285501TP	SHOWER-HOLDER D57
42	5470501	SHOWER D57 AISI 304
43	7817001	SCREW TPS M5X16 A2
44	5963548.01AL	ASSEMBLY DELIVERY GROUP
45	7634808	THERMIC SAFETY DEVICE 250V 95°C AUTOMATIC
46	5162301LL	STEAM TAP HOSE
47	5162310LL	WATER TAP HOSE
49	7304502TR	STRAIGHT FITTING 1/8" G
50	5225610	ARTICULATION M8 INOX
51	5260204DL	SHAFT D12X47
52	5964085.01AL	ASSEMBLY TAP WITH OR
53	7493013	INSULATING
54	7496084	GASKET
55	7305014	TERMINAL 2 HOLES

TABLE 3 (from 29.01.14)

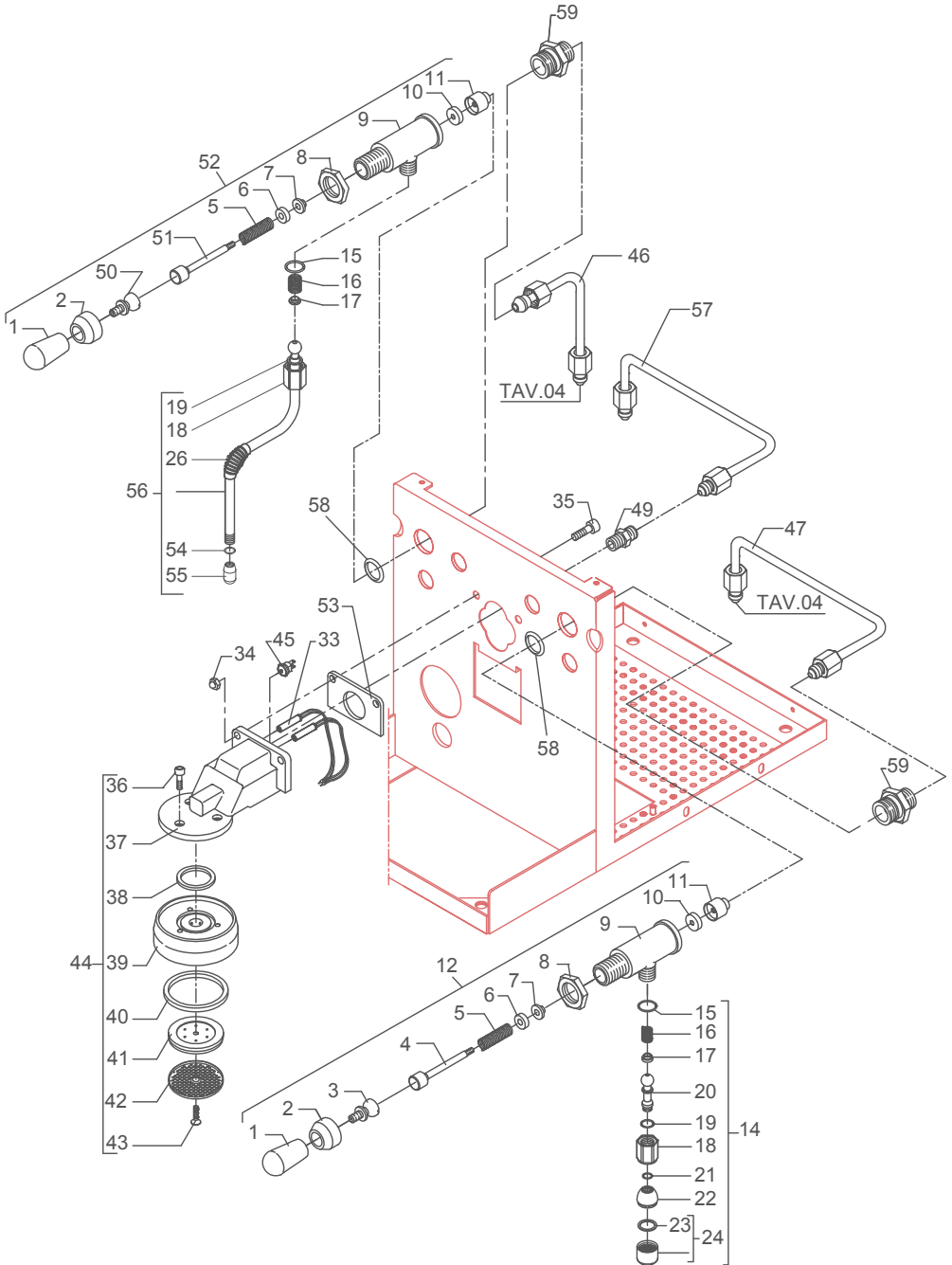


TABLE 3 (from 29.01.14)

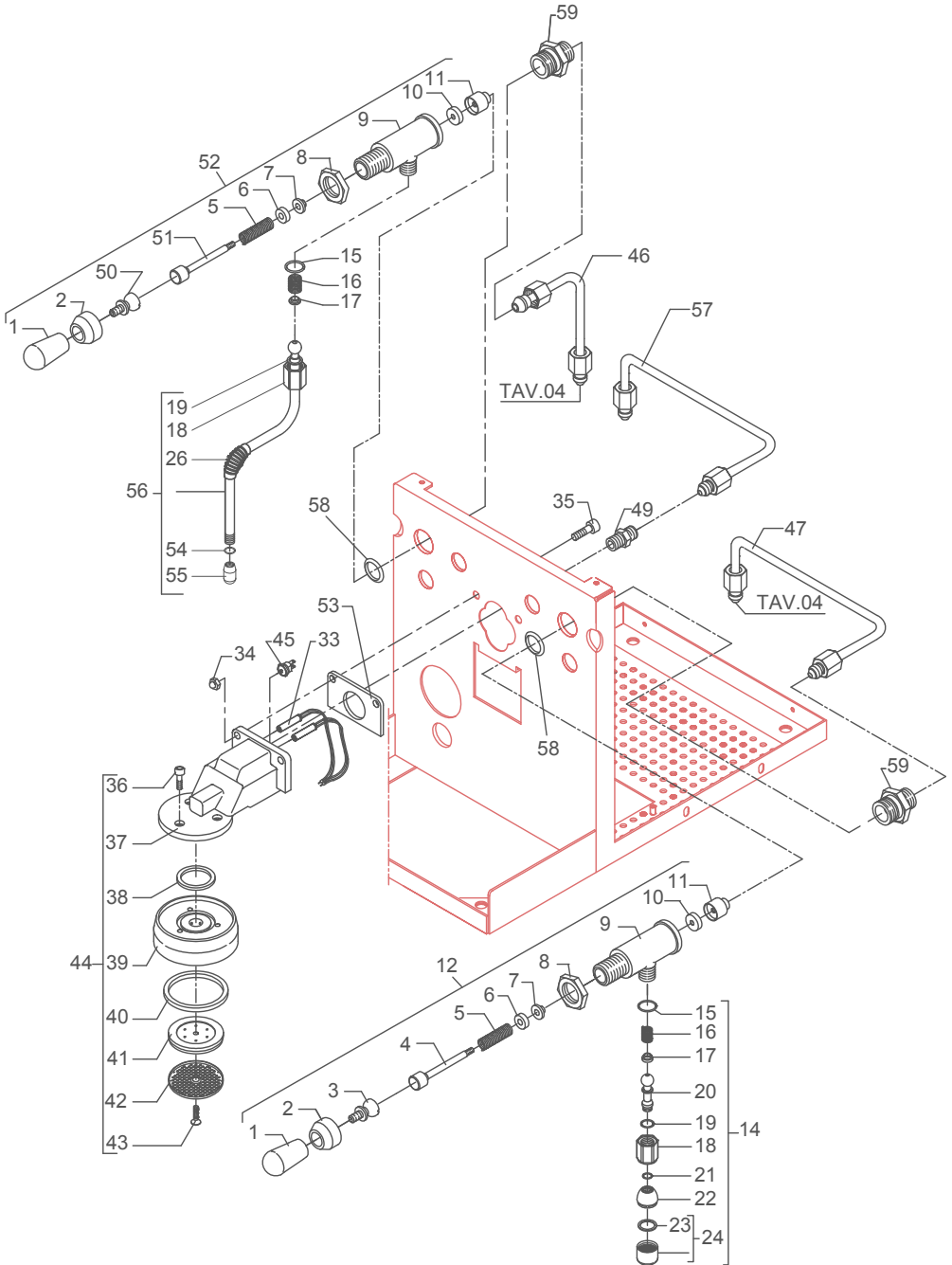


TABLE 4

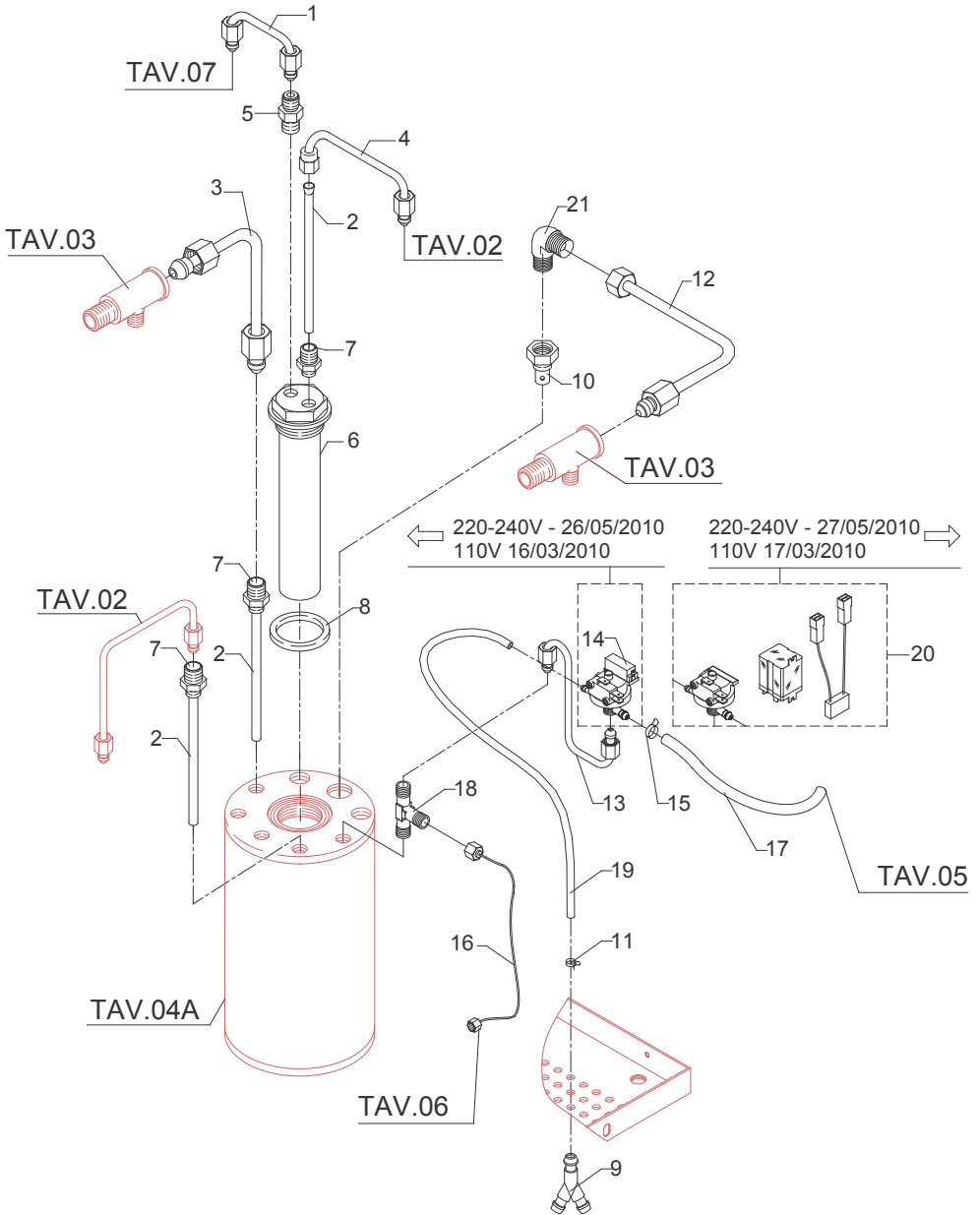


TABLE 4A

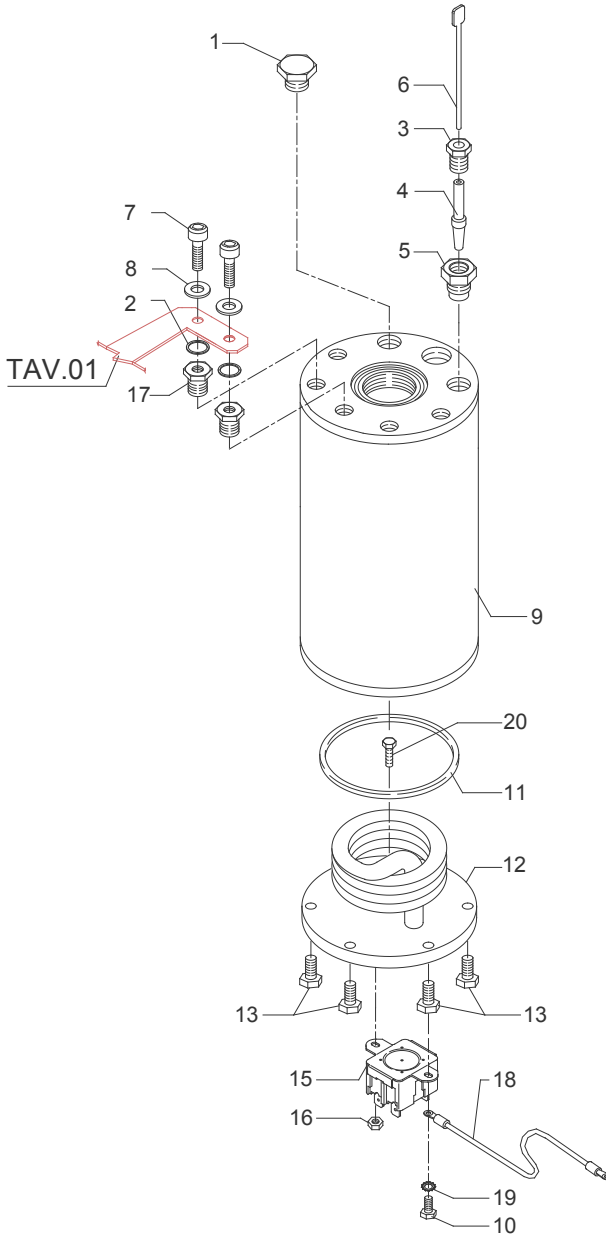


TABLE 5

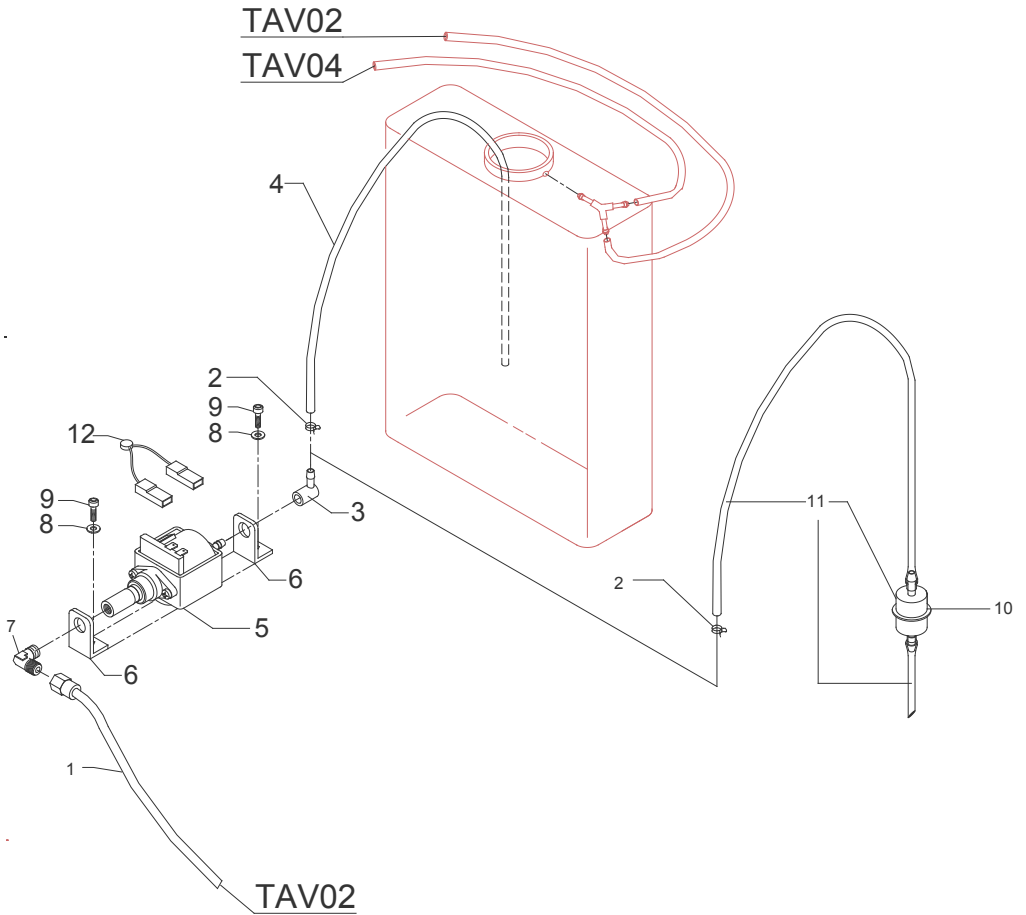


TABLE 6

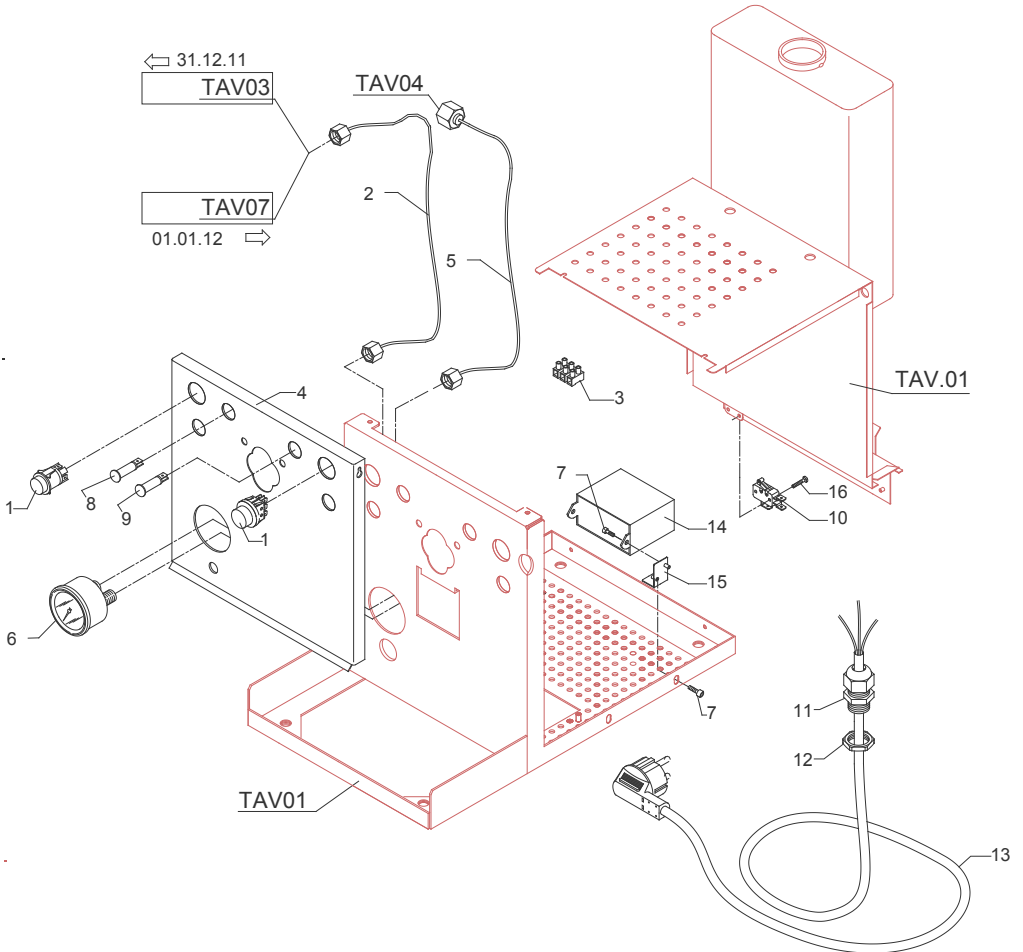


TABLE 7 (up to 31.12.11)

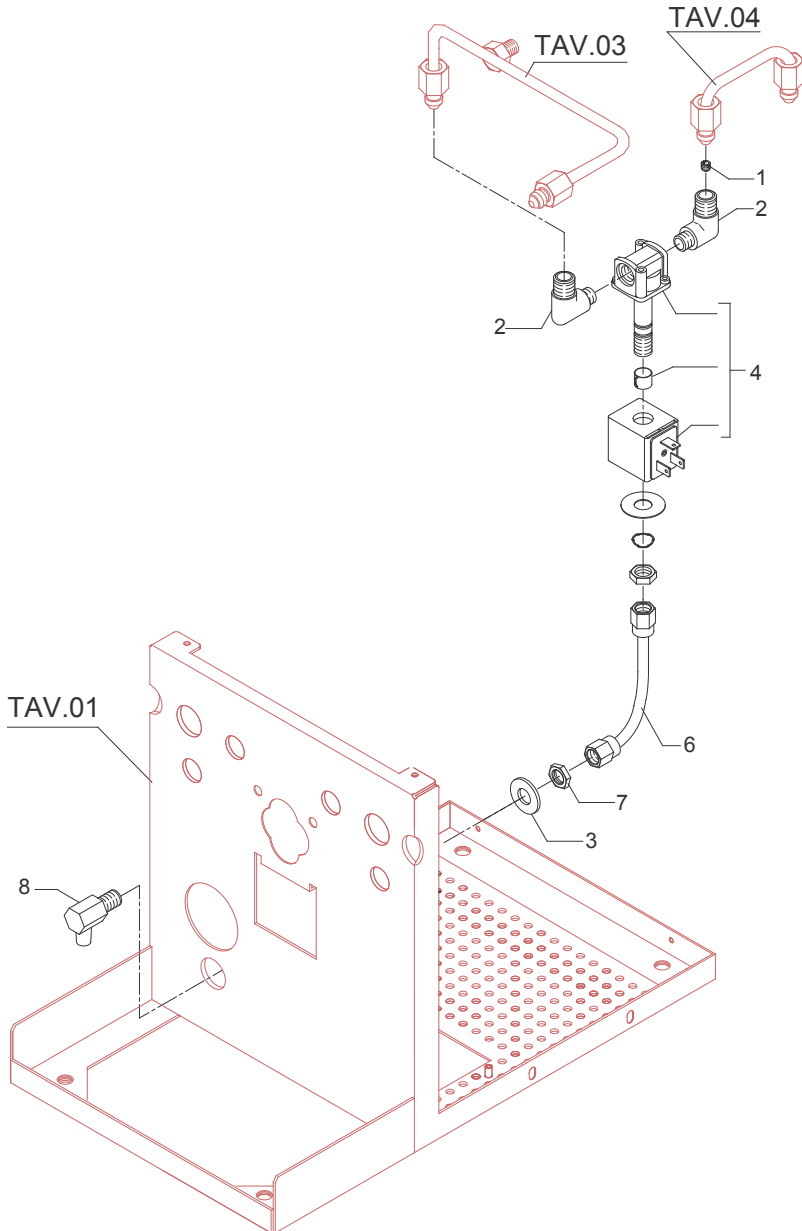


TABLE 7 (up to 01.04.13)

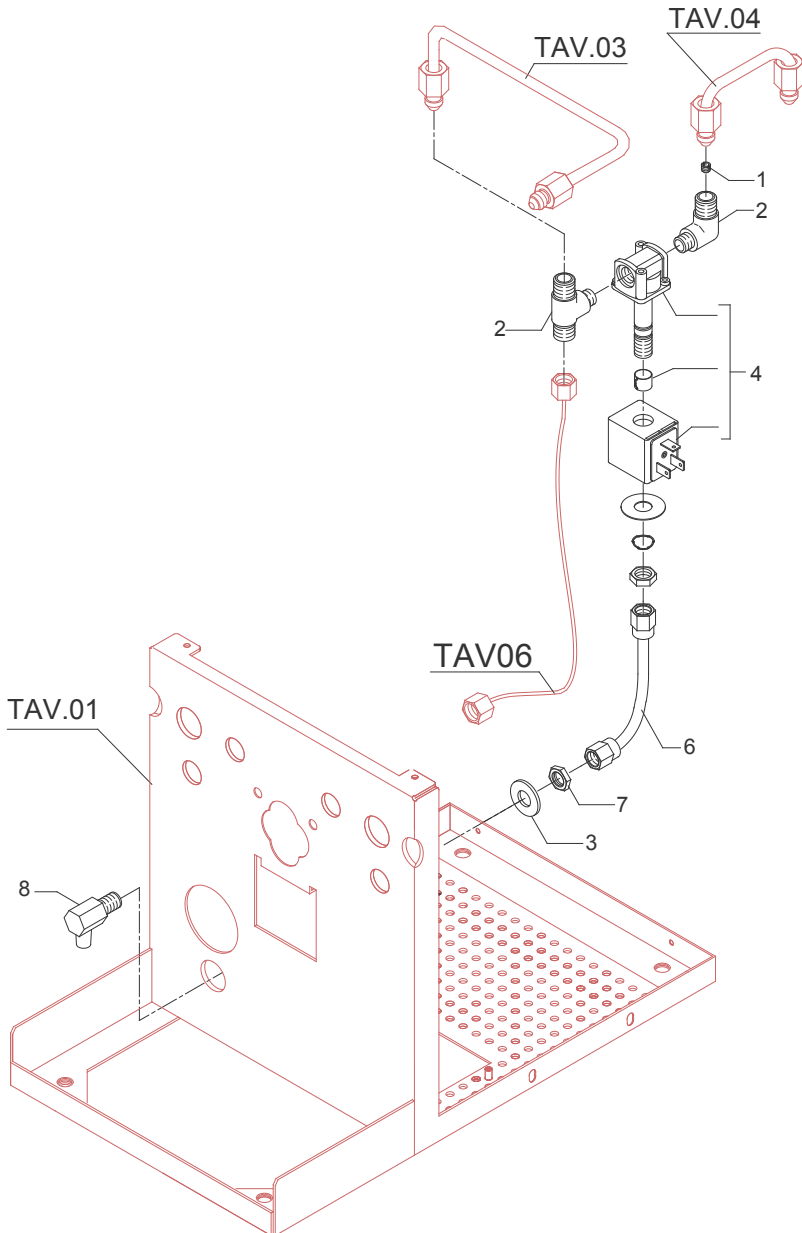


TABLE 7 (from 02.04.13)

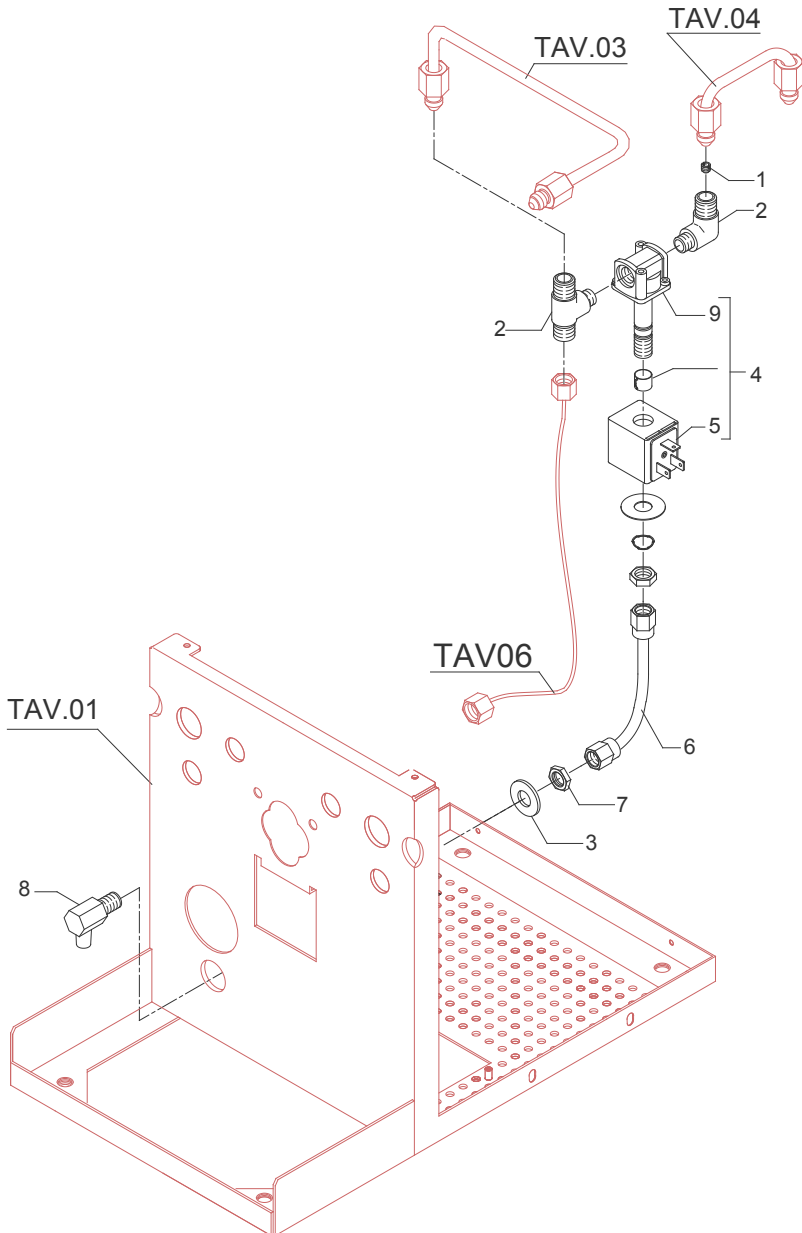
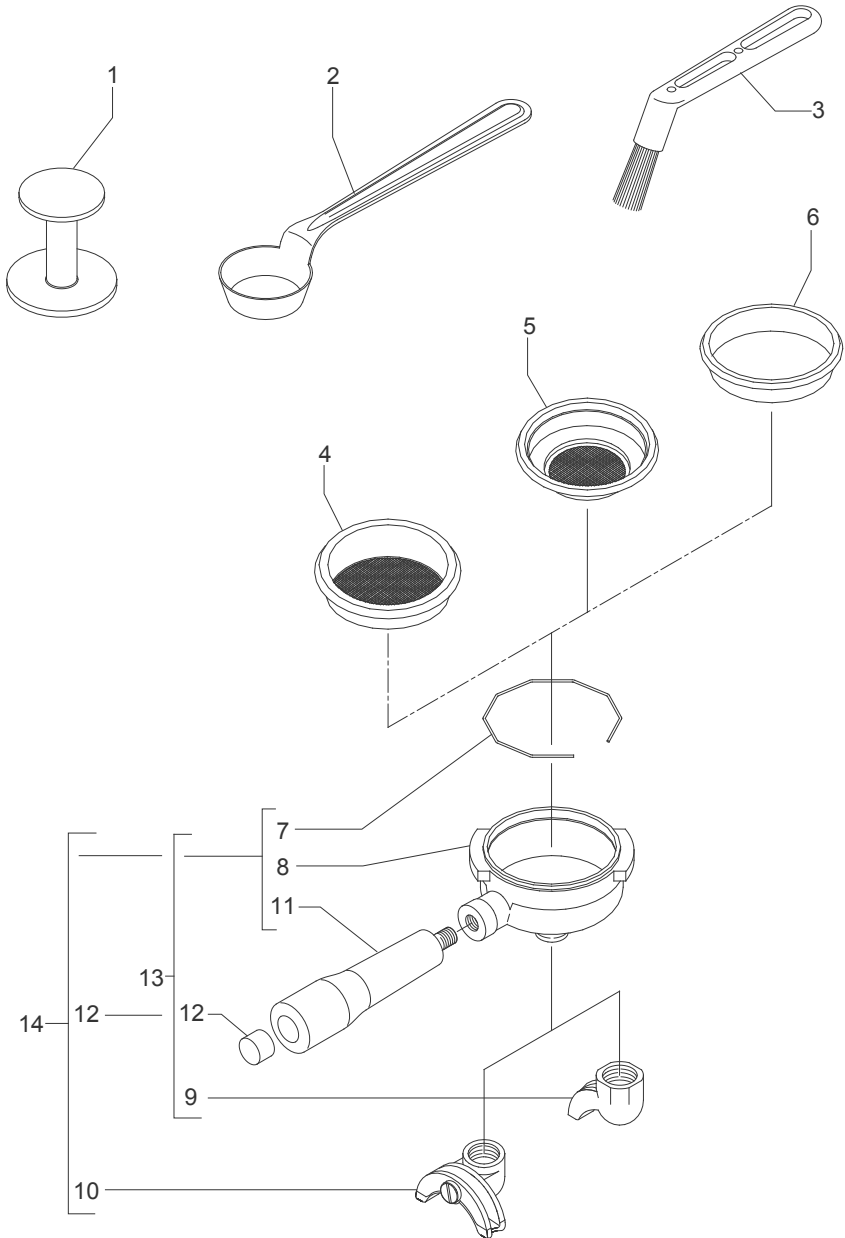




TABLE 8

POS	CODE	DESCRIPTION
1	5373001	COFFEE-PRESS
2	5372101	MEASURER
3	7990603	CLEANING BRUSH
4	5471021.01	FILTER 2 CUPS 12 GRAMS WITH RUN CHANNEL
4	5471026.01	FILTER 2 CUPS 14 GRAMS WITH RUN CHANNEL
5	5471020.01	FILTER 1 CUP 6 GRAMS WITH RUN CHANNEL
5	5471031.01	FILTER 1 CUP 8 GRAMS WITH RUN CHANNEL
6	5471003	BLIND FILTER
7	5471527	FILTER-HOLDER SPRING D1.2 AISI 302
8	5286016TW	FILTER-HOLDER
9	7288505TW	SPOUT 1 WAY SHORT
10	7288501TW	SPOUT 2 WAY SHORT
11	7371502	KNOB POLISHED
12	5373915CM	KNOB CHROME CAP
13	5965603R	ASSEMBLY FILTER-HOLDER 1 CUP
14	5965604R	ASSEMBLY FILTER-HOLDER 2 CUPS

TABLE 8





BEZZERA

Dal 1901

G.BEZZERA

MACCHINE PER CAFFE' ESPRESSO

Via Luigi Bezzera,1

20088 Rosate - Milano - Italy

Tel. ++39 02 90848102 r.a. - Telefax ++39 02 90870287

Web: www.g.bezzera.it

e-mail: commerciale@bezzera.it