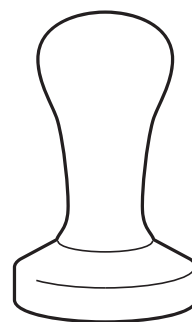


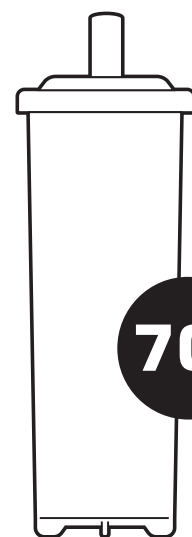
Accessories (not included)



### Tampers

**PLA481R**  
Lelit58 stainless steel tamper with red wood handle

**PLA481W**  
Lelit58 stainless steel tamper with bicolour wood handle



70lt

### Resin filters

**PLA930M**  
Package containing 2 Lelit resin filter for water tank (70 l endurance).

### For cleaning

**PLA180S**  
Lelit58 complete set of filters, including a blind filter

**PLA9201**  
Package containing 40 single-dose bags of detergent for espresso brew groups

**PLA9202**  
Package containing 20 single-dose bags of detergent for burrs and grinding chambers

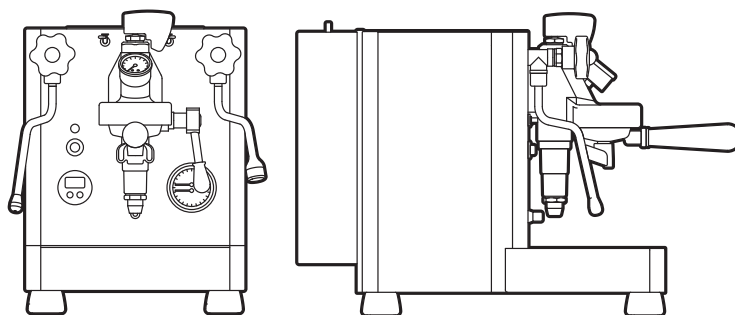
**PLA9101**  
Cleaning kit for coffee machines and filter holder (microfiber cloth, paintbrush and brush)

Pro Line  
BIANCA

## Technical sheet

**Aesthetics and technology in a small space.**

Model:  
**PL162T**

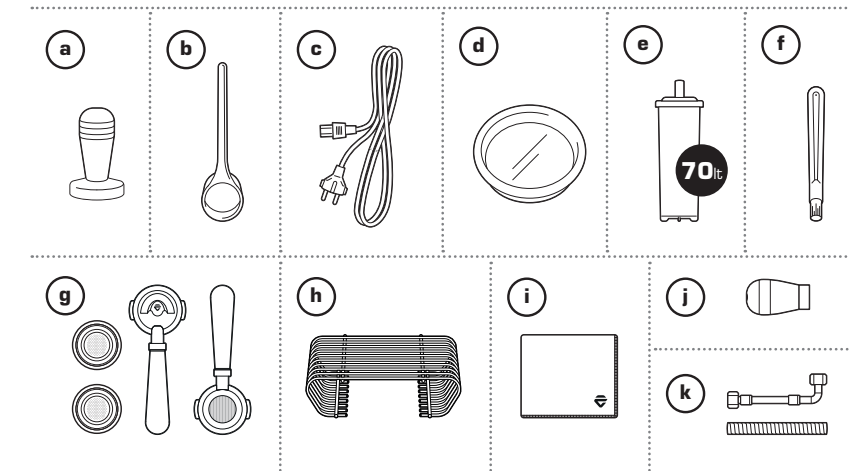
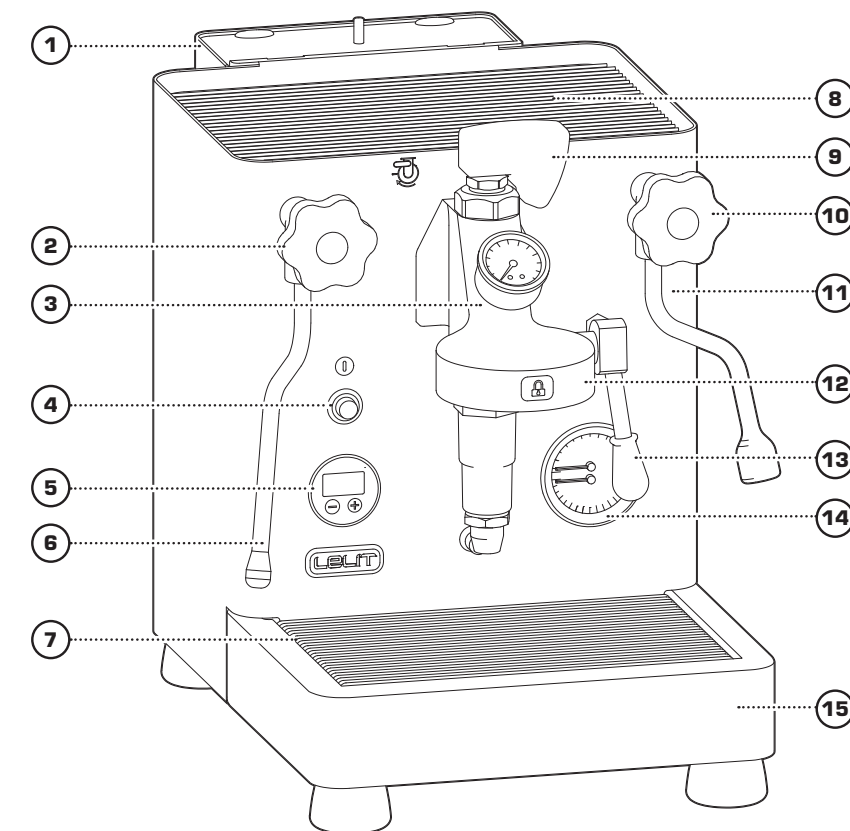


**Dimensions:** 29x48,5x40 cm  
**Weight:** 26,5 kg  
**Rotary Pump Motor:** 150 W  
**Water Tank Capacity:** 2.5 lt  
**Stainless steel coffee boiler capacity:** 800 ml  
**Stainless steel steam boiler capacity:** 1.5 lt

**Let our video show you how to use your espresso machine like a real barista.**



To see the tutorial, please scan the QR-Code.  
To read the QR code, download the proper app from your store.



Open the leaflet for...

## The quick start Guide

Pro Line  
BIANCA  
PL162T



espresso.lelit.com



User manual code 7800045, REV 01  
Art. PL162T  
©2018 Gemme Italian Producers Srl. All Rights Reserved

The information and pictures provided may be changed without notice to improve the machine performance.

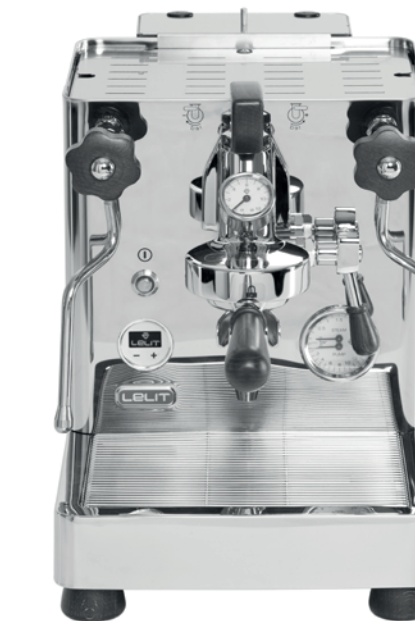
User Manual

Bianca

Pro Line PL162T

# LELIT

User Manual



BIANCA

Pro line  
PL162T

The espresso machines that combine quality, design and technology

# Quick start guide

Pro Line - Bianca

## IT Italiano

**A.** Apri l'imballo **B.** Applicazione del filtro addolcitore e ricarica acqua del serbatoio **C.** Accendi la macchina espresso **D.** Verifica il funzionamento **E.** Prepara la macchina espresso **F.** Eroga il caffè **G.** Eroga il vapore **H.** Eroga l'acqua calda **I.** Modifica dei parametri di fabbrica

## FR Français

**A.** Ouvrez l'emballage **B.** Montez la cartouche filtrante et rechargez l'eau **C.** Mettez la machine espresso sous tension **D.** Vérifiez le fonctionnement **E.** Préparez la machine espresso pour l'extraction **F.** Extrayez le café **G.** Distribuez de la vapeur **H.** Distribuez de l'eau chaude **I.** Modifiez les paramètres d'usine

## DE Deutsch

**A.** Öffnen Sie die Verpackung **B.** Harzfilter montieren und Wassertank füllen **C.** Einschalten der Espressomaschine **D.** Betriebsprüfung **E.** Vorbereitung der Espressomaschine **F.** Kaffee entnehmen **G.** Dampf entnehmen **H.** Heißwasser entnehmen **I.** Abänderung der werkseitig eingestellten Parameter

## ES Español

**A.** Abre el embalaje **B.** Instalación del filtro suavizador y recarga del agua **C.** Enciende la máquina espresso **D.** Comprueba el funcionamiento **E.** Prepara la máquina espresso para la extracción de café **F.** Hacer café **G.** Extrae el vapor **H.** Extrae el agua caliente **I.** Cambio de los parámetros predeterminados

## RO Română

**A.** Deschideți ambalajul **B.** Aplicarea filtrului dedurizant și reîncărcarea cu apă a rezervorului **C.** Porniți mașina de cafea espresso **D.** Verificați funcționarea **E.** Pregătiți mașina de cafea espresso **F.** Erogarea cafelei **G.** Erogarea aburului **H.** Erogarea apei calde **I.** Modificarea parametrilor din fabrică

## RU Русский

**A.** Откройте упаковку **B.** Применение смягчающего фильтра и заливка воды **C.** Включите кофеварку **D.** Проверка работы **E.** Подготовка кофеварки эспрессо для приготовления кофе **F.** Выпуск кофе **G.** Выпуск пара **H.** Выпуск горячей воды **I.** Изменение заводских параметров



Let our video show you how to use your espresso machine like a real barista.



To see the tutorial, please scan the QR-Code. To read the QR code, download the proper app from your store.